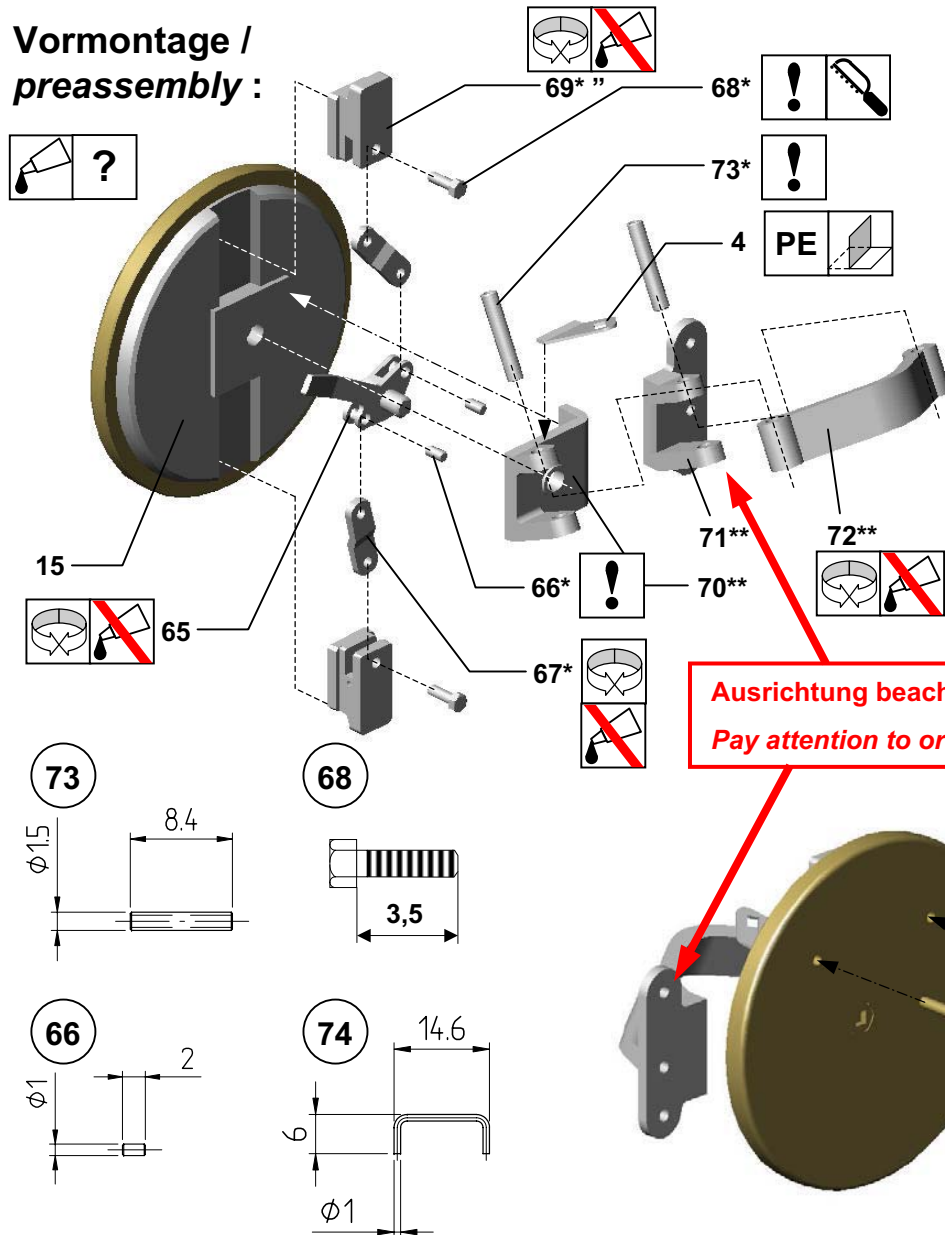




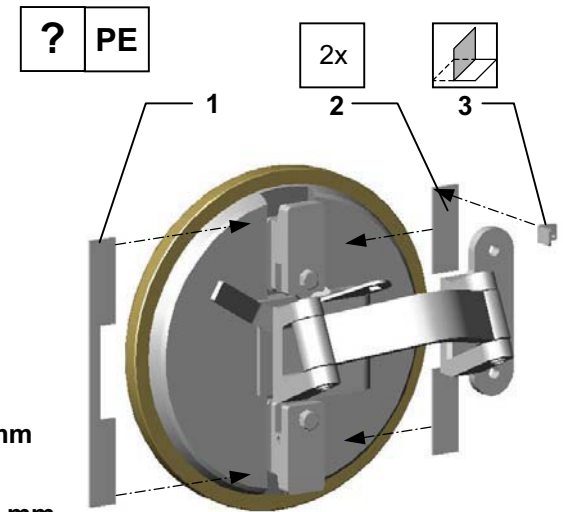
#### Vormontage / preassembly :



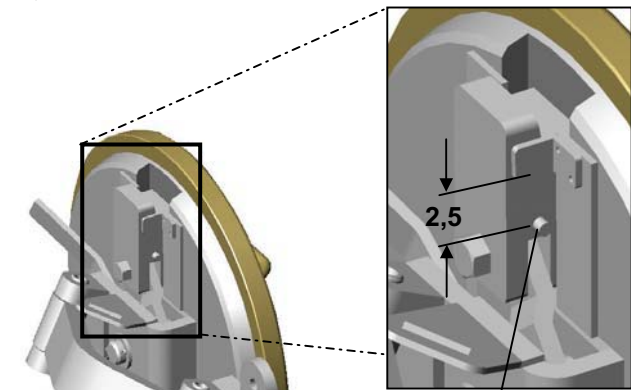
#### Z7

Turm Heckluke /  
turret rear hatch

- XX\* = 2x
- XX'' =  = Ø1 mm
- XX\*\* =  = Ø1,5 mm



**Ausrichtung beachten !! /  
Pay attention to orientation !**



**Ø 0,5mm bohren u.  
Draht einkleben !!  
Drill Ø 0,5mm and  
glue rod in place !**